



TOUCH II

User friendly and totally programmable 7" Touch II
USB Connection. Online platform free of charge for
programming, telemetry, data analysis...thanks to
the IoT
Videos on display (ads, instructions, etc.)
37 languages



OUTSTANDING FEATURES

Reversing drum action as standard
Stainless steel drum as standard
Frequency inverter as standard



EFFICIENCY

DOUBLE FLOW - mixed axial-radial airflow
Big fluff filter



VERSATILITY

Make to order - customisation
WET CLEANING
OPL > Multivending - Standard OPL model easily
trasformable to coin laundry uses



CONNECTIVITY

Standard IoT Domus Connect
Management of laundries: OPL and COIN
Remote payment (coin laundry)



ERGONOMICS

Drawer as fluff filter, stainless steel mesh
Biggest door diameters
Opening sense of door adjustable on site



MAINTENANCE

Hinged control panel: easy and ergonomic access
Technical menu: statistics for technicians and main-
tenance with external console (with console option)



OTHERS

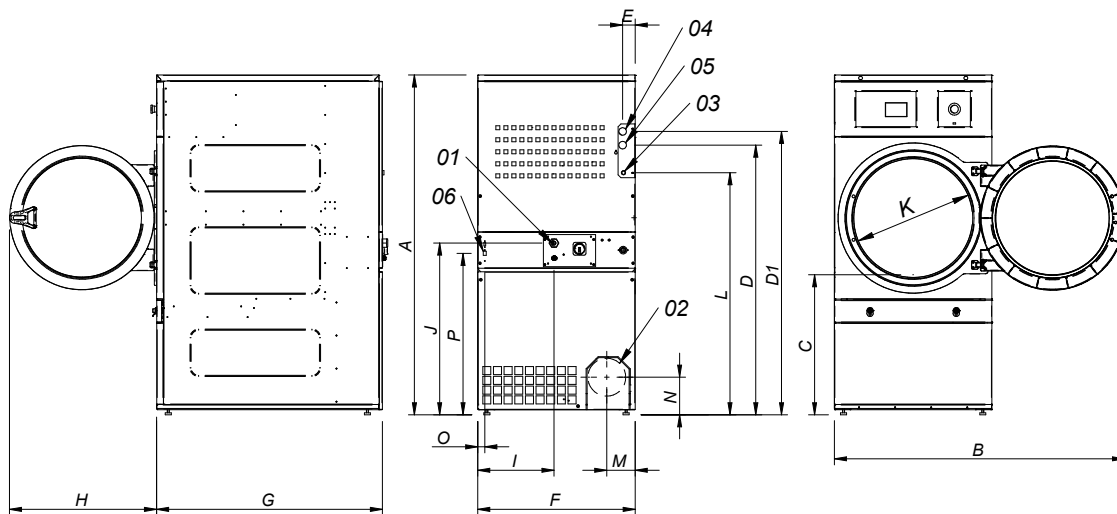
Grey skinplate outer casing, stainless steel look
SOFT DRY - new drum with stamped holes
COOL DOWN - anti-wrinkle at the end of the cycle
Heating options: electric, gas and steam
CE approved



OPTIONS

- EFFICIENT DRY - Humidity sensor
- Double doorglass
- SFEX - Fire Extinguishing System
- Opposite door opening
- Tropicalized model
- Dosing/spraying system
- Back panel external air + filter
- Fluff filter with grid 0,6mm (standard is 0,3mm)
- Fluff filter with grid 1,2mm (standard is 0,3mm)
- Stainless steel front and side panels
- Front panel in stainless steel
- Steam battery in stainless steel
- Low pressure steam battery
- Reduced power (12kw instead of 18kw) for DTT-14
- Maritime wooden packing
- Ship voltage for electric models:
440V III 50/60 Hz No neutral
- Other voltages available

TECHNICAL DATA	UNIT.	DTT-11		DTT-14	
CAPACITY					
Capacity 1/18 // Capacity 1/20	Kg	11,7 // 10,5		15 // 13,5	
Hourly Output (electr. // gas)	Kg/h	20,3 // 28,6		26,9 // 30,3	
Evaporation capacity (electr. // gas)	l/h	9,3 // 14,5		13,5 // 15,4	
DRUM					
Ø Drum	mm	750		750	
Ø Door	mm	574		574	
Door center height	mm	976		976	
Load hole bottom height	mm	689		689	
Drum length	mm	475		610	
Drum volume	l	210		269	
POWER					
Drum motor power	kW	0,37		0,37	
Fan motor power	kW	0,25		0,25	
Electric heating power	kW	12		18	
Total electric power (elec.model)	kW	12,67		18,67	
Gas heating power	kW	20,51		20,51	
Instant propane gas consumption (G31)	kg/h	1,76		1,76	
Instant natural gas consumption (G20)	m3/h	2,17		2,17	
Total electric power (gas model)	kW	0,67		0,67	
Steam heating power	kW	30		30	
Total electric power (steam model)	kW	0,67		0,67	
CONNECTIONS					
		ELECTRICAL		GAS/STEAM	
Tension 230V - I + N + T	Nº x mm2 / A	3 x 25 / 63A		3 x 1,5 / 20A	
Tension 230V - III + T	Nº x mm2 / A	4 x 10 / 40A		3 x 1,5 / 20A	
Tension 400V - III + N + T	Nº x mm2 / A	5 x 4 / 25A		3 x 1,5 / 20A	
Ø Gas inlet	BSP	1/2"		1/2"	
DIMENSIONS / PACKING DIMENSIONS					
Net width / Gross width	mm	785 / 865		785 / 865	
Net Depth / Gross Depth	mm	855 / 940		989 / 1074	
Net Height / Gross Height	mm	1694 / 1840		1694 / 1840	
Net weight / Gross weight	Kg	172 / 180		180 / 190	
OTHERS					
Max airflow	m3/h	850		850	
Ø Fume exhaust	mm	200		200	
Sound level	dB	64		64	



- 01 POWER SUPPLY
- 02 FUMES OUTPUT Ø200
- 03 GAS INLET 1/2"
- 04 STEAM INLET 3/4"
- 05 CONDENSATE OUTLET 3/4"
- 06 ETHERNET CONNECTION

	A	B	C	D	D1	E	E1	F	G	H	I	J	K	L	M	N	O	P
DTT-11	1694*	1447	689	1354	1422	68	68	785	855	735	380	870	575	1226	133	180	35	805
DTT-14	1694*	1447	689	1354	1422	68	68	785	989	735	380	870	575	1226	133	180	35	805

* Measurement with legs mounted (30mm)